

Roof / Ground Mounts	MODEL #	UGM 24	UGM 30	UGM 36	UGM 42	UGM 48	UGM 54	UGM 60	UGM 66	UGM 72	UGM 78	UGM 84	UGM 90	UGM 96	UGM 102	UGM 108	UGM 114	UGM 120	
RETAIL PRICE		\$149	\$163	\$180	\$195	\$215	\$228	\$251	\$274	\$297	\$312	\$345	\$391	\$404	\$442	\$486	\$496	\$506	
ADVENT SOLAR																			
ADVENT 160 / 165 / 170 / 175 / 180		-	-	1	-	-	-	-	2	-	-	-	-	3	-	-	-	-	
ADVENT 210 / 215 / 220 / 225 / 230 / 235 / 240					1							2						3	
ASE / RWE SCHOTT SOLAR																			
SAPC- 165 / 170 / 175 / 123				1						2					3				
ASE (DGF/50/17 Series)250 / 260 / 270 / 280 / 290 / 300 / 310 / 320-DGF/17 & 50 / ASE-260-DG-FT							1									2			
ASE-165-GT-FT/MC/MCI				1					2						3				
BP / SOLAREX																			
BP-160F/270F/275F/280F/580F/585F / BP-270L/275L/580L/585L/340/350/365/365U/380/385 /485/580U/585U/SX-75TU/BP-SX-75/80/85		1				2				3			4					5	
BP-2140S/2150S/3150/3160S/4160S/5170S/ SX150S/SX-170		-	-	1	-	-	-	-	2	-	-	-	-	-	3	-	-	-	
BP-SX 3195/3200/3195B/200B/3190		-	-	1	-	-	-	-	-	2	-	-	-	-	3	-	-	-	
BP-3115/3125 / SX-3130/3140		-	1	-	-	-	-	2	-	-	-	3	-	-	-	-	4	-	
CONERGY																			
E-205P to E-225P (17.8 ft.) / C-180M (14.1 ft.)					1							2						3	
SC-170M & MA to SC-180M & MA and C-175M, S-175MU, C-167P (14 ft.)				1						2					3				
C-125PI			1					2				3					4		
DAY 4																			
DAY 4 48MC-160/165/170/175/180/185/190					1							2						3	
DAY 4 36MC-115/120/125/130/135/140/145			1					2				3					4		
EVERGREEN																			
EC-170 / 180 / 190		-	-	-	1	-	-	-	-	-	2	-	-	-	-	-	-	3	
EC-102/GD / 110/GD / 115/GD			1					2				3					4		
GENERAL ELECTRIC																			
GEPV-065 / 070 / 072 / 085-M		1				2			3				4					5	
GEPV-100-M / 110-M			1				2					3				4			
GEPV-130-M / GEPVp-130			1					2				3					4		
GEPV-165-M / GEPV-173-M GEPVp-185-M / 200-M/M/S					1							2						3	
GEPVc-170-MS				1					2						3				
GLOBAL SOLAR																			
GSE-60			1				2				3						4		
GSE-120						1								2					

Roof / Ground Mounts	MODEL #	UGM 24	UGM 30	UGM 36	UGM 42	UGM 48	UGM 54	UGM 60	UGM 66	UGM 72	UGM 78	UGM 84	UGM 90	UGM 96	UGM 102	UGM 108	UGM 114	UGM 120	
RETAIL PRICE		\$149	\$163	\$180	\$195	\$215	\$228	\$251	\$274	\$297	\$312	\$345	\$391	\$404	\$442	\$486	\$496	\$506	
GRUNDFOS																			
GF-43/50		-	1	-	-	-	-	2	-	-	-	-	3	-	-	-	-	4	
GF-65C		1	-	-	-	2	-	-	-	3	-	-	4	-	-	-	5	-	
GTF-55		1	-	-	-	-	2	-	-	-	3	-	-	-	4	-	-	-	
GTF-101 / 110		-	1	-	-	-	2	-	-	-	-	3	-	-	-	-	4	-	
ISOFOTON																			
IS-75/12		1	-	-	-	2	-	-	-	3	-	-	4	-	-	-	5	-	
IS-150S / 12-24 / IS-200 / 32		-	-	-	1	-	-	-	-	-	-	2	-	-	-	-	-	-	
IS-150 / 12-24		-	-	1	-	-	-	-	2	-	-	-	3	-	-	-	-	-	
KANEKA																			
K60 / GSA -60		-	-	-	1	-	-	-	-	-	-	2	-	-	-	-	-	3	
KYOCERA																			
KC-65 / KC-80 / KC-85 / KC-120-1 / 125G / 125GT / 125TM / 130GT / 130TM / KD-135GX-LP		-	1	-	-	-	2	-	-	-	-	3	-	-	-	4	-	-	
KC-158G / 167G / 170GT / 175GT / KC-187G / 190GT / 200GT / KD-205GX-LP / KD-180GX-LP		-	-	-	1	-	-	-	-	-	-	2	-	-	-	-	-	3	
MITSUBISHI																			
PV-MF 110EC3/4 / 120EC3/4		-	1	-	-	-	2	-	-	-	-	3	-	-	-	4	-	-	
PV-MF 120EA2ST / 125A2LF / 125EA2LF / 130EA2LF / PV-MF 155 / 160 / 165 / 170 EB (3 or 4)		-	-	1	-	-	-	-	2	-	-	-	-	3	-	-	-	-	
PV-MF 115 / 120 / 125 / 130 TE4N, PV-TE 115 / 120 / 125 / 130 MF5N, PV-UE 115 / 125 / 130 F5N		-	1	-	-	-	-	2	-	-	-	3	-	-	-	-	4	-	
PV-MF 185 / 180 / 175 / 170 TD4, PV-TD 190 / 185 / 180 / 175 MF5, PV-UD 175MF5, PV-MF 180 UD4		-	-	-	1	-	-	-	2	-	-	-	3	-	-	-	-	-	
PHOTOWATT / MATRIX																			
PW6-110 / 123 / PW6-110Wp / PW-1000		-	1	-	-	-	-	2	-	-	-	3	-	-	-	-	4	-	
PW-1250 / 115 - 125 - 135		-	-	-	1	-	-	-	-	2	-	-	-	3	-	-	-	-	
PW-1650/1750/TE1700 / 155 - 165 - 175		-	-	-	-	1	-	-	-	-	-	-	2	-	-	-	-	-	
PW & PWX-750 / 75 - 80 - 85		-	1	-	-	2	-	-	-	3	-	-	-	4	-	-	-	5	
PW6-230Wp / PW6-230		-	-	-	1	-	-	-	-	-	-	2	-	-	-	-	-	3	
SANYO																			
HIP-63S1		1	-	-	2	-	-	-	3	-	-	4	-	-	5	-	-	-	
SANYO-55/62.5/63 (clips not provided by ZW)		1	-	-	-	2	-	-	3	-	-	4	-	-	-	5	-	6	
SANYO-167/180/186/190/195/200/205BA3 (clips not provided by ZW)		-	-	-	1	-	-	-	-	-	2	-	-	-	-	-	3	-	

Roof / Ground Mounts	MODEL #	UGM 24	UGM 30	UGM 36	UGM 42	UGM 48	UGM 54	UGM 60	UGM 66	UGM 72	UGM 78	UGM 84	UGM 90	UGM 96	UGM 102	UGM 108	UGM 114	UGM 120	
RETAIL PRICE		\$149	\$163	\$180	\$195	\$215	\$228	\$251	\$274	\$297	\$312	\$345	\$391	\$404	\$442	\$486	\$496	\$506	
SCHUCO																			
S-165-SPU / 170-SPU				1						2					3				
SHARP																			
NE-80EJE (80 watt) / NE-80EJEA / NE-80E1U		1				2			3			4					5		
ND-123UJF / L3EJEA / ND-L3E1U			1				2					3				4			
ND-NOECU (140 watt) / ND-N2ECUF (142 watt) / ND-162U1 (162 watt) / ND-167U3A (167 watt)					1							2						3	
ND-QOE2U (160 watt) / ND-167U1F (167 watt)					1							2						3	
NE-Q5E2U(165 watt) / NT-170U1 (170 watt) / NT-175U1 / NT-180U1 (180 watt) / NT-185U1 (185 watt) / NE-ND-181U1F (181 watt) / ND-187U1 / ND-187U1F (187 watt)				1						2					3				
ND-167U1 (167 watt)					1							2						3	
NT-R5EU1 (175 watt)				1						2					3				
ND-200U1F / ND208U1 / ND-208U1F / ND208U2 / ND-205U1 / ND216U2 / ND216U1F					1							2						3	
NE-K125U2				1						2					3				
SOLARWORLD																			
SW 130 / 140 / 150		-	1	-	-	-		2	-	-	-	3	-	-	-		4	-	
SW 155 / 165 / 175		-	-	1	-	-	-	-	2	-	-	-	-	-	3	-	-	-	
SW 200 / 210 / 220		-	-	-	1	-	-	-	-	-	-	2	-	-	-	-	-	-	
SW-75 / 80 / 85		1				2			3				4				5		
SUNPOWER																			
SPR-90		1	-	-	2	-	-	-	3	-	-	-	4	-	-	5	-	-	
SPR-200 / 210 / 220-BLK		-	-	1	-	-	-	-	2	-	-	-	-	3	-	-	-	-	
SPR-315-WHT																			
SUNTECH																			
STP 070 / 075 / 080 / 085S-12/Bb		1	-	-	-	2	-	-	-	3	-	-	4	-	-	-	5	-	
STP 175 / 170 / 165 / 160 / 155S-24 / 110-24Ab		-	-	1	-	-	-	-	2	-	-	-	-	3	-	-	-	-	
SUNWIZE																			
SW 50/ 50C / 55 / 60		1			2				3			4				5			
SW 50A / 55A / 60A / SW-85/SW-90/SW-95/SW-90C		1				2				3				4				5	
SW-100/SW-115/SW-120			1				2					3				4			
SW155-L/165-L				1						2						3			
SW-150/155/160				1					2					3					

Roof / Ground Mounts	MODEL #	UGM 24	UGM 30	UGM 36	UGM 42	UGM 48	UGM 54	UGM 60	UGM 66	UGM 72	UGM 78	UGM 84	UGM 90	UGM 96	UGM 102	UGM 108	UGM 114	UGM 120	
	RETAIL PRICE		\$149	\$163	\$180	\$195	\$215	\$228	\$251	\$274	\$297	\$312	\$345	\$391	\$404	\$442	\$486	\$496	\$506
UNISOLAR																			
US-32		1	-	2	-	-	3	-	4	-	-	5	-	6	-	-	7	-	
US-42 / US-64		-	-	1	-	-	-	-	2	-	-	-	-	3	-	-	-	4	
YINGLI																			
YL-75/80/85/90		1				2				3				4					5
YL-110/120			1					2				3						4	
YL-150				1					2						3				
YL-160/165/170/175/180					1							2							3
YL-210/220					1								2						
EST. SHIPPING WT. - LBS		8	9	10	12	13	15	16	17	18	20	22	29	31	33	35	38	40	

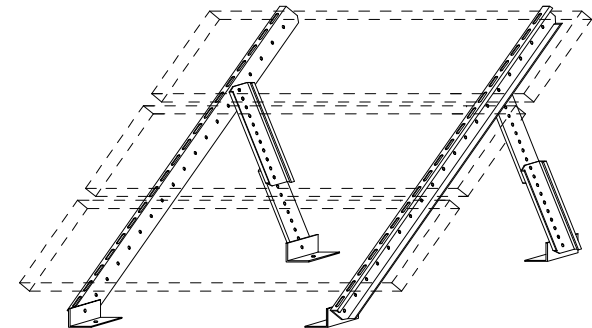
How To determine which rack to order: Scroll down the column on the left to find the photovoltaic make and module you will use. Follow the row to the right until you find the box with the number of modules you plan to place on your rack. Follow the column up to the "Model Number" (UGM***). *** indicates rail length in inches.

Example: To order a rack for 3 Kyocera KC-120's the model number is "UGM84".

Shipping: All UGM Racks can be shipped by UPS.

Installation: All UGM Fixed Racks come with aluminum angle "feet". The hardware for attaching the feet to the rack is included. For mounting the UGM Fixed Rack to a roof or on the ground, 3/8" bolts or lag screws are required.

These are not included with the rack. It is the installer's responsibility to secure the rack to roof joists or to a pad or other base on the ground.



Low Profile Roof / Ground Mounts	MODEL #	UGMLP 72	UGMLP 84	UGMLP 96	UGMLP 108	UGMLP 120	UGMLP 132	UGMLP 144	UGMLP 156	UGMLP 168	UGMLP 180	UGMLP 192	UGMLP 204	UGMLP 216	
		RETAIL PRICE		\$297	\$309	\$323	\$335	\$347	\$465	\$477	\$488	\$505	\$519	\$615	\$628
ADVENT SOLAR		2 Legs Per Rack					3 Legs Per Rack					4 Legs Per Rack			
ADVENT 160 / 165 / 170 / 175 / 180		2*	-	3*	-	4*	-	-	5*	-	6*	-	-	7*	
ADVENT 210 / 215 / 220 / 225 / 230 / 235 / 240			2*			3*				4*			5*		
ASE / RWE SCHOTT															
ASE-165/170/175/123 / ASE-165-GT-FT/MC/MCI		2*	-	-	3*	-	4*	-	-	5*	-	-	6*	-	
ASE-300		-	-	-	2*	-	-	-	3*	-	-	-	4*	-	
ASE-260-DG-FT					2*					3*				4*	
BP / SOLAREX															
BP-160F/270F/275F/280F/580F/585F/270L/275L/580L /585L/340/350/380/385/485/580U/585U/SX-75TU		3		4		5	6		7		8		9		
BP-365/365U /		3	4		5		6		7	8		9		10	
BP-2140S/2150S/3150/3160S/4160S/4175/5170S/ SX150S/ SX-170/170B/160B		2*	-	3*	-	-	4*	-	-	5*	-	6*	-	-	
BP-SX 3195 / 3200 / 3195B / 200B / 3190		2*	-	-	3*	-	-	4*	-	-	5*	-	6*	-	
BP-3115 / 3125 / SX-3130 / 3140		2*	3*	-	4*	-	-	5*	-	6*	-	7*	-	8*	
BP-SX-75/80/85		3*	4*		5*		6*		7*	8*		9*		10*	
CONERGY															
E-205P to E-225P (17.8 ft.)			2*			3*				4*			5*		
SC-170M & MA to SC-180M & MA and C-175M, S-175MU, C-167P (14 ft.)		2			3*		4*			5*			6*		
C-125PI			3*		4*			5*		6*		7*		8*	
C-180M (14.1 ft.)			2			3				4			5		
Day 4															
DAY 4 48MC-160/165/170/175/180/185/190			2			3				4			5		
DAY 4 36MC-115/120/125/130/135/140/145			3			4			5			6		7	
EVERGREEN															
ES-170 / 180 / 190 / 195		1*	2*	-	-	3*	-	-	4*	-	-	5*	-	-	
EC-102/GD / 110/GD / 115/GD			3*		4*		5*		6*			7*		8*	
GENERAL ELECTRIC															
GEPV-065 / -070 / -072 / 085-M		3	-	4	5	-	6	-	7	8	-	9	-	-	
GEPV-100-M / 110-M			3		4		5		6			7		8	
GEPV-130-M / GEPVp-130			3		4			5		6		7		8	
GEPV-165 / 170 / 173 / 185 / 200-M GEPVp-185-M / 200-M/MS		2		-	-	3	-	-	-	4	-	-	5	-	
GEPVc-170-MS		2		3			4			5		6			
EST. SHIPPING WT. - LBS.		20	22	24	26	36	38	40	48	50	53	55	62	65	

Low Profile Roof / Ground Mounts	MODEL #	UGMLP 72	UGMLP 84	UGMLP 96	UGMLP 108	UGMLP 120	UGMLP 132	UGMLP 144	UGMLP 156	UGMLP 168	UGMLP 180	UGMLP 192	UGMLP 204	UGMLP 216
RETAIL PRICE		\$297	\$309	\$323	\$335	\$347	\$465	\$477	\$488	\$505	\$519	\$615	\$628	\$639
GLOBAL SOLAR														
GSE-60		2	3		4		5		6		7		8	
GSE-120				2				3				4		
GRUNDFOS														
GF-43 / GF-50		2		3		4		5			6		7	
GF-65C		3	-	4	5	-	6	-	7	-	8	9	-	10
GTF-55		2	3	-	4	-	5	-	6	-	7	-	8	-
GTF-101 / 110		2*	3*	-	4*	-	-	5*	-	6*	-	7*	-	8*
ISOFOTON														
I-75		3	-	4	-	5	6	-	7	-	8	-	9	-
I-150S/12 or 24 / IS-75/12 / IS-50/12 or 24		1	2	-	-	-	3	-	-	4	-	-	-	5
I-50		5	6		7	8	9	10	11	12		13	14	15
I-94/12 or 24 / I-100/12 or 24		2	3		4		5			6		7		8
I-165		1	2			3			4				5	
I-200		1*	2*	-	-	-	3*	-	-	4*	-	-	-	5*
KANEKA														
K60 / GSA -60		1	2	-	-	3	-	-	4	-	-	5	-	-
KYOCERA		2 Legs Per Rack					3 Legs Per Rack				4 Legs Per Rack			
KC-50/60/70/80/85		2	3	-	4	-	5	-	6	-	-	7	-	8
KC-120/125/130GT/130TM		2*	3*	-	4*	-	5*	-	6*	-	-	7*	-	8*
KC-158/167/170/ 175GT/187/190/200GT/187G / 190GT / 200GT / KD-205GX-LP / KD-180GX-LP		1*	2*	-	-	3*	-	-	-	4*	-	-	5*	-
KD-135GX-LP		2*	3*		4*			5*		6*		7*		8*
MITSUBISHI														
PV-MF110EC3/120EC3		2*	3*	-	4*	-	5*	-	6*	-	7*	-	8*	-
PV-MF 120EA2ST / 125A2LF / 125EA2LF / 130EA2LF		2	-	3	-	-	4	-	-	5	-	6	-	-
PV-MF155 / 160 / 165 / 170 EB3/4														
PV-MF 115 / 120 / 125 / 130 TE4N, PV-TE 115 / 120 / 125 / 130 MF5N, PV-UE 115 / 125 / 130 F5N		2*	3*	-	4*	-	-	5*	-	6*	-	7*	-	-
PV-MF 185 / 180 / 175 / 170 TD4, PV-TD 190 / 185 / 180 / 175 MF5, PV-UD 175MF5, PV-MF 180 UD4		2*	-	3*	-	-	4*	-	-	5*	-	6*	-	-
PHOTOWATT / MATRIX														
PW6-110/123 / PW-1000 / PW6-110Wp		2	3	-	4	-	-	5	-	6	-	7	-	8
PW-1250 / 115 - 125 - 135		2	-	-	3	-	4	-	-	5	-	-	6	-
PW-1650/1750/TE1700 / 155 - 165 - 175		1	-	2	-	-	3	-	-	-	4	-	-	5
EST. SHIPPING WT. - LBS.		20	22	24	26	36	38	40	48	50	53	55	62	65

Low Profile Roof / Ground Mounts	MODEL #	UGMLP 72	UGMLP 84	UGMLP 96	UGMLP 108	UGMLP 120	UGMLP 132	UGMLP 144	UGMLP 156	UGMLP 168	UGMLP 180	UGMLP 192	UGMLP 204	UGMLP 216
		RETAIL PRICE		\$297	\$309	\$323	\$335	\$347	\$465	\$477	\$488	\$505	\$519	\$615
PW & PWX-750 / 75-80-85 / PWX-850		3	-	4	-	5	-	6	-	7	8	-	9	-
SANYO														
HIP-63S1		3	4		5	6		7		8	9		10	
HIP-205 / 210 / 215 NHE5		2*		3*			4*			5*		6*		
SANYO-167/180/186/190/195/200 (clips not provided by ZW)		1	2	-	-	3	-	-	4	-	-	5	-	-
SCHUCO														
S-165-SPU / 170-SPU		2*		3*			4*			5*			6*	
SHARP														
NE-80EJE (80 watt) / NE-80EJEA / NE-80E1U		3		4		5	6		7		8		9	
ND-L3EJEA (123 watt) ND-L3E1U		2*	3*		4*			5*		6*		7*		8*
ND-NOECU (140 watt) / ND-N2ECU (142 watt) / ND-162U1 (162 watt) / ND-167U3A (167 watt)			2			3				4			5	
ND-QOE2U (160 watt) / ND-167U1F (167 watt)			2			3				4			5	
NE-Q5E2U(165 watt) / NT-170U1 (170 watt) / NT-175U1 / NT-180U1 (180 watt) / NT-185U1 (185 watt) / NE-170U1		2*			3*			4*		5*			6*	
ND-181U1F (181 watt) / ND-187U1 / ND-187U1F (187 W)			2*			3*				4*			5*	
ND-167U1 (167 watt)			2			3				4			5	
NT-R5EU1 (175 watt)		2*			3*			4*		5*			6*	
ND-200U1F / ND208U1 / ND-208U1F / ND208U2 / ND-205U1 / ND216U2 / ND216U1F			2*			3*				4*			5*	
NE-K125U2			2			3				4			5	
SOLARWORLD														
SW 130 / 140 / 150		2*	3*	-	4*	-	5*	-	6*	-	-	7*	-	-
SW 155 / 165 / 175		2*	-	3*	-	-	4*	-	-	5*	-	6*	-	-
SW 200 / 210 / 220		1*	2*	-	-	3*	-	-	-	4*	-	-	5*	-
SW-75 / 80 / 85		3		4	5		6		7		8		9	10
SUNPOWER														
SPR-90		3	-	4	5	-	6	-	7	-	8	9	-	10
SPR-200 / 210 / 220		2*	-	3*	-	-	4*	-	-	5*	-	6*	-	-
SPR-315-WHT		1*	2*				3*			4*				5*
SUNTECH		2 Legs Per Rack				3 Legs Per Rack				4 Legs Per Rack				
STP 070 / 075 / 080 / 085S-12/Bb		3	4	-	5	-	6	7	-	8	-	9	10	-
STP 180 / 175 / 170 / 165 / 160 / 155S-24 / 110-24Ab		2*	-	-	3*	-	4*	-	-	5*	-	6*	-	-
EST. SHIPPING WT. - LBS.		20	22	24	26	36	38	40	48	50	53	55	62	65

Low Profile Roof / Ground Mounts	MODEL #	UGMLP 72	UGMLP 84	UGMLP 96	UGMLP 108	UGMLP 120	UGMLP 132	UGMLP 144	UGMLP 156	UGMLP 168	UGMLP 180	UGMLP 192	UGMLP 204	UGMLP 216
		RETAIL PRICE		\$297	\$309	\$323	\$335	\$347	\$465	\$477	\$488	\$505	\$519	\$615
SUNWIZE														
SW-50 / 55 / 60		3	4	-	5	-	6	7	-	8	-	9	10	-
SW-50A / 55A / 60A / 85 / 90 / 95		3	-	4	-	5	-	6	-	7	-	8	-	9
SW-115/120		2	3	-	4	-	5	-	6	-	-	7	-	8
SW-155L/165L		2*	-	-	3*	-	-	4*	-	-	5*	-	-	6*
SW-150/155/160		2*	-	3*	-	-	4*	-	5*	-	-	6*	-	7*
UNISOLAR														
US-32		4	5	6	-	7	8	9	-	10	11	12	-	13
US-42		2	-	3	-	4	-	-	5	-	6	-	7	-
US-64		2	-	3	-	4	-	-	5	-	6	-	-	7
YINGLI														
YL-75/80/85/90		3		4		5	6		7		8		9	
YL-110/120		2*	3*			4*		5*		6*		7*		
YL-150		2*			3*			4*		5*			6*	
YL-160/165/170/175/180		1	2			3				4			5	
YL-210/220		1*	2*				3*			4*				6*
EST. SHIPPING WT. - LBS.		20	22	24	26	36	38	40	48	50	53	55	62	65

How to determine which rack to order: Scroll down the column to the left to find the photovoltaic make and model you will use. Follow the row to the right until you find the box with the number of modules you plan to place on your rack. Follow the column up to the "Model Number" (UGMLP ***) *** indicates rail length in inches.

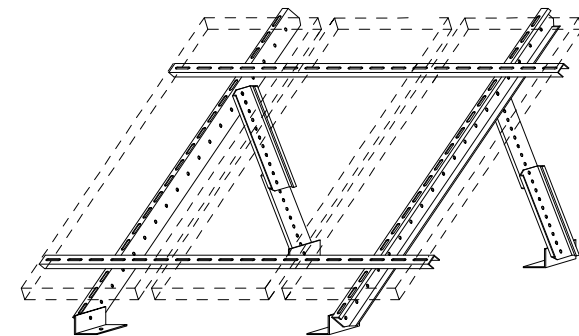
Example: To order a rack for 3 Kyocera KC-120's the model number is "UGMLP 84" 5 ft. Vertical Rail and Leg Assembly Required-2 leg assemblies required x \$20 each - add \$40 to retail price.

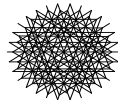
Shipping: Some UGMLP Fixed Racks can be shipped by UPS. UGMLP 196 racks and larger must be shipped by a common carrier.

For mounting the UGMLP Fixed Rack to a roof or on the ground, 3/8" bolts or lag screws are required. These are not included with the rack. It is the installer's responsibility to secure the rack to roof joists or to a pad or other base on the ground.

Installation: All UGMLP Fixed Racks come with aluminum angle "feet". The hardware for attaching the feet to the rack is included.

* 5 ft. Vertical Rail and Leg Assembly - Add \$20 for Each Leg Assembly to Retail Price.



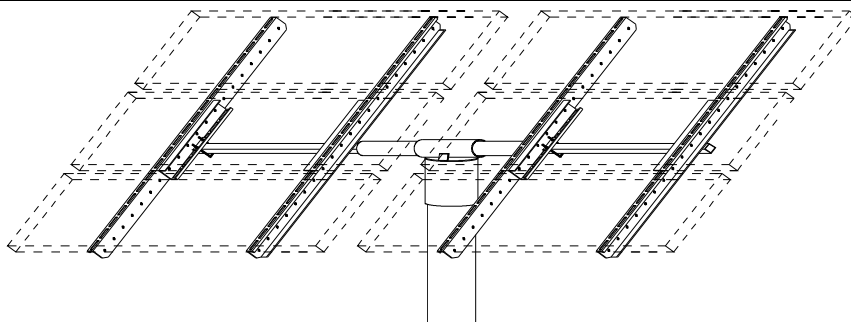


ZOMEWORKS CORPORATION TOP OF POLE FIXED RACK SIZING CHART

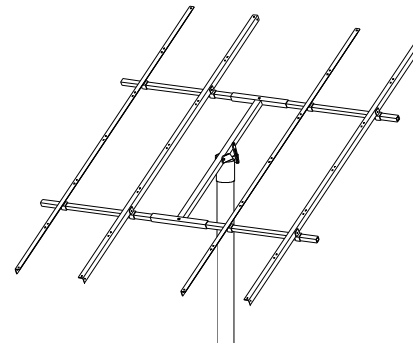
PANEL TYPE	SQ.FT/ PANEL	# OF PV Panels									
		1	2	3	4	6	8	10	12	14	16
ADVENT SOLAR											
Advent 160 / 165 / 170 / 175 / 180	14.1	FX3-32L	FX3-64L	N/A	FX4-8-272	FXL-090	FXL-120	FXL-168	FXL-168	N/A	N/A
Advent 210/ 215/ 220/ 225/ 230/ 235/ 240	17.9	FX3-40L	FX3-80L	N/A	FXL-090	FXL-120	FXL-168	N/A	N/A	N/A	N/A
ASE / RWE SCHOTT SOLAR											
SAPC- 165 / 170 / 175	14.0	FX3-36L	FX3-68L	N/A	FX4-9-272	FXL-090	FXL-120	FXL-168	FXL-168HD	N/A	N/A
ASE(DGF/50/17 Series) 250 / 260 / 270 / 280 / 290 / 300 / 310 / 320-DGF/17 & 50	26.1	FX3-52L	FX6-10-208	FXL-090	FXL-120	FXL-168	N/A	N/A	N/A	N/A	N/A
ASE-165-GT-FT/MC/MCI	14.1	FX3-36L	FX3-68L	N/A	FX4-9-272	FXL-090	FXL-120	FXL-168	FXL-168*	N/A	N/A
ASE-260-DG-FT	23.0	FX3-56	FX4-7-144	N/A	FXL-090	FXL-168	N/A	N/A	N/A	N/A	N/A
BP / SOLAREX											
BP-160F/270F/275F/280F/580F/585F / BP-270L/275L/580L/585L	6.8	FX3-24S	FX3-44S	FX3-68S	FX3-88S	FX4-6-272	FX6-6-352	FXL-090	FXL-090	FXL-120	FXL-120
BP-340	3.8	FX3-24S	FX3-44S	FX3-72S	FX3-96S	FX4-4-272	FX4-4-352	FX4-4-448	N/A	N/A	N/A
BP-350	4.9	FX3-24S	FX3-44S	FX3-68S	FX3-88S	FX4-5-272	FX6-5-352	FXL-090	FXL-090	FXL-120	FXL-120
BP-365/365U /	6.0	FX3-24S	FX3-44S	FX3-68S	FX3-88S	FX4-7-256	FX4-7-352	FX6-7-432	FXL-090	FXL-120	FXL-120
BP-380/385/485	7.0	FX3-24S	FX3-44S	FX3-68S	FX3-88S	FX4-8-256	FX4-8-352	FX6-8-448	FXL-090	FXL-120	FXL-120
BP-4160S/4175/ 5170S/SX-150S/SX-170/175B/170B/160B	13.5	FX3-32L	FX3-64L	N/A	FX4-9-256	FXL-090	FXL-120	FXL-168	FXL-168*	NA	N/A
BP-3115/3125 / SX-3130/3140	10.9	FX3-28L	FX3-56L	FX3-84L	FX4-9-224	FX6-9-336	FXL-090	FXL-120	FXL-168	FXL-168	FXL-168*
BP-SX 3195/3200/3195B/200B/3190	15.1	FX3-36L	FX3-68L	N/A	FX6-9-272	FXL-090	FXL-120	FXL-168	N/A	N/A	N/A
BP-580U/S/H/DB/DH 585U/S/H/DB/DH SX-75TU	6.9	FX3-24S	FX3-44S	FX3-68S	FX3-88S	FX4-8-256	FX6-8-352	FXL-090	FXL-090	FXL-120	FXL-120
BP-SX-75/80/85	7.9	FX3-24L	FX3-44L	FX3-68L	FX3-88L	FX4-9-272	FX4-9-352	FXL-090	FXL-090	FXL-120	FXL-120
CONERGY											
E-205P to E-225P (17.8 ft.)	17.7	FX3-40L	FX3-80L	N/A	FXL-090	FXL-120	FXL-168	N/A	N/A	N/A	N/A
SC-170M & MA to SC-180M & MA and C-175M, S-175MU, C-167P (14 ft.)	14	FX3-36L	FX3-68L	N/A	FX6-8-272	FXL-090	FXL-120	FXL-168	FXL-168*	N/A	N/A
C-125PI	10.7	FX3-28L	FX3-56L	FX3-80L	FX4-9-224	FXL-090	FXL-090	FXL-120	FXL-168	FXL-168	N/A
C-180M (14.1 ft.)	14.1	FX3-40L	FX3-80L	N/A	FX4-8-320	FXL-090	FXL-120	FXL-168	FXL-168*	N/A	N/A
DAY 4											
DAY 4 48MC-160/165/170/175/180/185/190	13.9	FX3-40S	FX3-80S	N/A	FX4-7-320	FXL-090	FXL-120	FXL-168*	FXL-168*	N/A	N/A
DAY 4 36MC-115/120/125/130/135/140/145	10.7	FX3-28S	FX3-56S	FX3-84S	FX4-7-224	FXL-090	FXL-090	FXL-120	FXL-168	FXL-168	N/A
CROWN											
CR170	13.53	FX3-36L	FX3-68L	FX4-6-384	FXL-090	FXL-090	FXL-120	FXL-168	FXL-168HD	N/A	N/A
EVERGREEN											
ES- 170 / 180 / 190	16.1	FX3-38L	FX3-76L	N/A	FXL-090	FXL-120	FXL-168	FXL-168*	N/A	N/A	N/A
EC-102/GD / 110/GD / 115/GD	11.1	FX3-28L	FX3-56L	N/A	FX6-8-224	FXL-090	FXL-090	FXL-120	FXL-168	FXL-168	N/A
GENERAL ELECTRIC											
GEPV-065 / 070 / 072 / 085-M	6.8	FX3-24L	FX3-44L	FX3-68L	FX3-88L	FX4-7-272	FX4-7-352	FXL-090	FXL-090	FXL-120	FXL-120
GEPV-100-M / 110-M	10.3	FX3-28L	FX3-52L	FX3-80L	FX4-8-208	FX4-8-320	FXL-090	FXL-120	FXL-168	FXL-168	FXL-168*
GEPV-130-M / GEPVp-130	10.7	FX3-28L	FX3-56L	FX3-80L	FX4-8-224	FXL-090	FXL-090	FXL-120	FXL-168	FXL-168*	N/A
GEPV-165-M / GEPV-173-M / GEVp-185-M / 200-M/MS	15.7	FX3-40L	FX3-80L	N/A	FX6-8-320	FXL-120	FXL-168	FXL-168*	N/A	N/A	N/A
GEPV-170-M	15.5	FX3-40L	FX3-80L	N/A	FX4-8-320	FXL-120	FXL-168	FXL-168	N/A	N/A	N/A
GEPVc-170-MS	13.6	FX3-32L	FX3-64L	N/A	FX4-8-256	FXL-090	FXL-120	FXL-168	FXL-168*	N/A	N/A

PANEL TYPE	SQ.FT/ PANEL	# OF PV Panels									
		1	2	3	4	6	8	10	12	14	16
GLOBAL SOLAR											
GSE 60	8.1	FX3-28L	FX3-52L	FX3-80L	FX4-7-208	FX6-7-320	FXL-090	FXL-090	FXL-120	FXL-120	FXL-168*
GSE 120	15.9	FX3-48L	FX3-96L	N/A	FXL-090	FXL-120	FXL-168	FXL-168*	N/A	N/A	N/A
GRUNDFOS											
GF-43	9.3	FX3-32L	FX3-60L	FX3-88L	FX4-7-240	FX4-7-352	FXL-090	FXL-090	FXL-120	FXL-168	FXL-168*
GF-50	9.3	FX3-32L	FX3-60L	FX3-88L	FX4-7-240	FX4-7-352	FXL-090	FXL-090	FXL-120	FXL-168	FXL-168*
GTF-55	7.9	FX3-24L	FX3-52L	FX3-76L	FX4-7-208	FX4-7-304	FX6-7-400	FXL-090	FXL-120	FXL-120*	FXL-168*
GF-65C / 55 C	6.9	FX3-24L	FX3-44L	FX3-68L	FX3-88L	FX4-6-272	FX4-6-352	FXL-090	FXL-090	FXL-120	FXL-120
GF-101 / 110	11.4	FX3-28L	FX3-56L	FX3-84L	FX4-8-224	FX6-8-336	FXL-090	FXL-120	FXL-168	FXL-168	N/A
ISOFOTON											
IS-75S /12	7.2	FX3-24L	FX3-44L	FX3-68L	FX3-88L	FX4-7-272	FX4-7-352	FXL-090	FXL-090	FXL-120	FXL-120
IS-150 /12-24	13.5	FX3-32L	FX3-64L	N/A	FX6-9-256	FXL-090	FXL-120	FXL-168	FXL-168*	N/A	N/A
IS-150S /12-24	13.8	FX3-44L	FX3-88L	N/A	FX4-7-352	FXL-090	FXL-120	FXL-168*	FXL-168*	N/A	N/A
I-94/12 or 24	8.5	FX3-28L	FX3-56L	FX3-80L	FX4-7-224	FX6-7-320	FXL-090	FXL-090	FXL-120	FXL-120	FXL-168*
I-100/12 or 24	9.2	FX3-28L	FX3-56L	FX3-80L	FX4-8-224	FX6-8-320	FXL-090	FXL-120	FXL-120	FXL-168	FXL-168*
I-165	13.7	FX3-40L	FX3-80L	N/A	FX6-8-320	FXL-090	FXL-120	FXL-168*	FXL-168*	N/A	N/A
I-200 /32	17.9	FX3-44L	FX3-88L	N/A	FXL-090	FXL-120	FXL-168	N/A	N/A	N/A	N/A
KANEKA											
K60 / GSA-60	10.2	FX3-40L	FX3-80L	FX4-8-320	FX4-8-320	FXL-090	FXL-090	FXL-120*	FXL-120*	FXL-168**	FXL-168**
KYOCERA											
KC-80/85	7.1	FX3-28S	FX3-52S	FX3-80S	FX4-6-208	FX4-6-320	FXL-090	FXL-090	FXL-090	FXL-120*	FXL-120*
KC-120-1 / 125G / 130GT / 130TM	10.0	FX3-28L	FX3-52L	FX3-80L	FX4-8-208	FX4-8-320	FXL-090	FXL-120	FXL-120	FXL-168	FXL-168*
KC-158G / 167G / 170 / 175GT	13.8	FX3-40L	FX3-80L	FX4-8-320	FX4-8-320	FXL-090	FXL-120	FXL-168*	FXL-168*	N/A	N/A
KC-187 / 190 / 200GT	15.2	FX3-40L	FX3-80L	FX4-8-320	FX4-8-320	FXL-090	FXL-120	FXL-168*	N/A	N/A	N/A
KD-135GX-LP	10.8	FX3-28L	FX3-56L	FX3-80L	FX6-9-224	FXL-090	FXL-090	FXL-120	FXL-168	FXL-168*	N/A
KD-180GX-LP	14.3	FX3-40L	FX3-80L	N/A	FX6-8-320	FXL-090	FXL-120	FXL-168*	N/A	N/A	N/A
KD-205GX-LP	16.0	FX3-40L	FX3-80L	N/A	FXL-090	FXL-120	FXL-168	FXL-168*	N/A	N/A	N/A
MATRIX SOLAR / PHOTOWATT											
PW6-110 / 123	10.2	FX3-28L	FX3-56L	FX3-84L	FX4-8-224	FX4-8-336	FXL-090	FXL-120	FXL-120	FXL-168*	FXL-168*
PW-1000	9.7	FX3-28L	FX3-56L	FX3-84L	FX4-8-224	FX6-8-336	FXL-090	FXL-120	FXL-120	FXL-168*	FXL-168*
PW-1250/115-125-135	11.0	FX3-32L	FX3-68L	FX4-7-272	FX4-7-272	FX6-7-400	FXL-090	FXL-120	FXL-168*	FXL-168*	N/A
PW-1650 & 1750/155-165-175	14.4	FX3-44L	FX3-88L	FX4-7-352	FX4-7-352	FXL-090	FXL-120	FXL-168*	FXL-168*	N/A	N/A
PWX-750/75-80-85	7.6	FX3-24L	FX3-44L	FX3-68L	FX3-92L	FX4-7-272	FX4-7-368	FXL-090	FXL-090	FXL-120	FXL-120
PW6-230Wp	19.5	N/A	FX4-8-208	N/A	FXL-090	FXL-120	FXL-168	N/A	N/A	N/A	N/A
PW6-230	20.1	N/A	FX4-8-208	N/A	FXL-090	FXL-120	FXL-168	N/A	N/A	N/A	N/A
PW6-110Wp	10	FX3-28L	FX3-56L	FX3-80L	FX4-8-224	FX6-8-320	FXL-090	FXL-120	FXL-120	FXL-168	FXL-168*
MITSUBISHI											
PV-MF110 / 120 EC3/4	9.9	FX3-28L	FX3-52L	FX3-80L	FX4-8-208	FX4-8-320	FX6-8-416	FXL-120	FXL-120	FXL-168	FXL-168*
PV-MF 120EA2ST / 125A2LF / 125EA2LF / 130EA2LF	10.8	FX3-32L	FX3-68L	FX3-96L	FX4-8-272	FX4-8-384	FXL-090	FXL-120	FXL-168*	FXL-168*	FXL-168*HD
PV-MF155 / 160 / 165 / 170 EB3/4	13.6	FX3-32L	FX3-68L	FX3-96L	FX4-9-272	FX4-9-384	FXL-090	FXL-168	FXL-168HD	N/A	N/A
PV-MF 115 / 120 / 125 / 130 TE4N, PV-TE 115 / 120 / 125 / 130 MF5N, PV-UE 115 / 125 / 130 F5N	10.8	FX3-28L	FX3-56L	FX3-84L	FX4-8-224	FX4-8-336	FXL-090	FXL-120	FXL-168*	FXL-168*	FXL-168*HD
PV-MF 185 / 180 / 175 / 170 TD4, PV-TD 190 / 185 / 180 / 175 MF5, PV-UD 175MF5, PV-MF 180 UD4	14.9	FX3-32L	FX3-68L	FX4-9-272	FX4-9-272	FXL-090	FXL-120	FXL-168	FXL-168HD	N/A	N/A
SANYO											
HIP-63S1	5	FX3-24S	FX3-44S	FX3-64S	FX3-84S	N/A	N/A	N/A	N/A	N/A	N/A
HIP- 167/ 180/ 186/ 190/ 195/ 200/ 205BA3 / J54BA2/ J54B/ H552BA1/ H552BA2	12.7	FX3-40L	FX3-76L	N/A	FX4-7-304	FXL-090	FXL-120	FXL-168	FXL-168*	N/A	N/A
HIP-205 / 210 / 215 NHE5	13.5	FX3-32L	FX3-64L	N/A	FX4-9-256	FXL-090	FXL-120	FXL-168	FXL-168*	N/A	N/A

PANEL TYPE	SQ.FT/ PANEL	# OF PV Panels										
		1	2	3	4	6	8	10	12	14	16	
SCHUCO												
S-165-SPU / 170-SPU	13.6	FX3-32L	FX3-68L	N/A	N/A	N/A	N/A	N/A	N/A	N/A	N/A	N/A
SHARP												
NE-80EJE (80 watt) / NE-80EJEA	6.94	FX3-24L	FX3-44L	FX3-68L	FX3-88L	FX4-7-272	FX4-8-352	FXL-090	FXL-090	FXL-120	FXL-120	
ND-123UJF / L3EJEA / ND-L3E1U	10.7	FX3-28L	FX3-52L	FX3-80L	FX4-8-208	FX4-8-320	FXL-090	FXL-120	FXL-168	FXL-168	FXL-168*	
NE-K125U2 (125 watt)	10.2	FX3-32L	FX3-64L	FX3-96L	FX4-7-256	FX4-7-384	FXL-090	FXL-120	FXL-168	FXL-168	168HD	
ND-NOECU (140 watt) / ND-N2ECUF (142 watt) / ND-162U1 (162 watt) / ND-167U3A (167 watt)	12.4	FX3-40L	FX3-80L	FX4-7-320	FX4-7-320	FXL-090	FXL-120	FXL-168	FXL-168*	N/A	N/A	
ND-QOE2U (160 watt) / ND-167U1F (167 W.) / ND-167U1 (167 watt)	14.2	FX3-40L	FX3-80L	FX4-7-320	FX4-7-320	FXL-090	FXL-120	FXL-168*	FXL-168*	N/A	N/A	
NE-Q5E2U(165 watt) / NT-170U1 (170 watt) / NT-175U1 / NT-180U1 (180 watt) / NT-185U1 (185 watt) / NE-170U1 / NT-R5EU1 (175 watt)	14.0	FX3-36L	FX3-68L	FX4-6-384	FXL-090	FXL-090	FXL-120	FXL-168	FXL-168HD	N/A	N/A	
ND-181U1F (181 watt) / ND-187U1 / ND-187U1F (187 watt)	15.9	FX3-40L	FX3-80L	FX4-8-320	FX4-8-320	FXL-120	FXL-168	FXL-168*	N/A	N/A	N/A	
ND208U2 / ND-205U1 / ND216U2 / ND216U1F / 220 / 224	17.6	FX3-40L	FX3-80L	FX6-9-320	FX6-9-320	FXL-120	FXL-168	FXL-168*HD	N/A	N/A	N/A	
SOLARWORLD												
SW130 / 140 / 150	12.3	FX3-28L	FX3-56L	N/A	FX4-9-224	FX6-9-384	FXL-120	FXL-168	FXL-168	N/A	N/A	
SW 155 / 165 / 175	14.0	FX3-32L	FX3-64L	N/A	FX4-8-256	FXL-090	FXL-120	FXL-168	FXL-168*	N/A	N/A	
SW 200 / 210 / 220	18.1	FX3-40L	FX3-80L	N/A	FX6-9-320	FXL-120	FXL-168	N/A	N/A	N/A	N/A	
SW 75 / 80 / 85	6.8	FX3-24S	FX3-44S	FX3-68S	FX3-88S	FX4-7-272	FX6-7-352	FXL-090	FXL-090	FXL-120	FXL-120	
SUNPOWER												
SPR-90	5.9	FX3-24L	FX3-44L	FX3-68L	FX3-96L	FX4-6-272	FX4-6-384	FXL-090	FXL-090	FXL-090	FXL-120*	
SPR-200/210/215/220-BLK	13.4	FX3-32L	FX3-64L	N/A	FX4-10-256	FX6-10-384	FXL-120	FXL-168*	FXL-168HD	N/A	N/A	
SPR-315-WHT	17.6	FX3-44L	FX3-84L	N/A	FXL-090	FXL-120	FXL-168	N/A	N/A	N/A	N/A	
SUNTECH												
STP 070 / 075 / 080 / 085S-12/Bb	6.5	FX3-24L	FX3-44L	FX3-68L	FX3-88L	FX4-7-272	FX4-7-352	FXL-090	FXL-090	FXL-120	FXL-120	
STP175/ 170/ 165/ 160/ 155S-24/ 110-24Ab	13.7	FX3-32L	FX3-64L	N/A	FX4-8-256	FXL-090	FXL-120	FXL-168	FXL-168*	N/A	N/A	
SUNWIZE												
SW 50/ 50C/ 55 / 60	5.4	FX3-24S	FX3-44S	FX3-64S	FX3-84S	FX4-8-256	FX4-8-336	FXL-090	FXL-090	FXL-090	FXL-120*	
SW 50A/ 55A/ 60A	5.3	FX3-24S	FX3-48S	FX3-72S	FX3-96S	FX4-7-288	FX4-7-384	FXL-090	FXL-090	FXL-090	FXL-120*	
SW85/ SW90/ SW95	9.0	FX3-24L	FX3-48L	FX3-72L	FX3-96L	FX6-8-320	FX6-8-384	FXL-090	FXL-120	FXL-168	FXL-168*	
SW100/SW115/SW120	10.0	FX3-28L	FX3-52L	FX3-80L	FX4-9-208	FX4-9-320	FXL-090	FXL-120	FXL-120	FXL-168	FXL-168*	
SW155-L/ 165-L	15.6	FX3-36L	FX3-72L	FX4-9-288	FX4-9-288	FXL-090	FXL-168	FXL-168	N/A	N/A	N/A	
SW-150/155/160	14	FX3-32L	FX3-64L	N/A	FX6-9-256	FXL-090	FXL-120	FXL-168	FXL-168	N/A	N/A	
UNI-SOLAR												
US-32	5.6	FX3-24L	FX3-32L	FX3-48L	FX3-64L	FX3-96L	FX4-8-256	FX4-8-320	FX6-8-384	FXL-090	FXL-090*	
US-42	7.4	FX3-32S	FX3-60S	FX3-92S	FX4-5-240	FX4-5-368	FXL-090	FXL-090	FXL-090	FXL-120	FXL-120*	
US-64	10.9	FX3-32L	FX3-60L	FX3-92L	FX4-8-240	FX6-8-368	FXL-090	FXL-168	FXL-168*	FXL-168*	N/A	
YINGLI												
YL-65 / 75 / 80 / 85 / 90	6.8	FX3-24S	FX3-44S	FX3-68S	FX3-88S	FX4-6-272	FX4-6-352	FXL-090	FXL-090	FXL-120	FXL-120	
YL-110/120	10.8	FX3-28L	FX3-56L	FX3-84L	FX4-8-224	FX4-8-336	FXL-090	FXL-120	FXL-168	FXL-168*	N/A	
YL-150	13.7	FX3-32L	FX3-68L	N/A	FX4-9-272	FXL-090	FXL-120	FXL-168	FXL-168*	N/A	N/A	
YL-160/165/170/175/180	14.3	FX3-40L	FX3-80L	N/A	FX4-7-320	FXL-090	FXL-120	FXL-168	N/A	N/A	N/A	
YL-210/220	18.3	FX3-44L	FX3-84L	N/A	FXL-090	FXL-120	FXL-168	N/A	N/A	N/A	N/A	



FX3-4-6-Series Top of Pole



FX90-120-168-Series Top of Pole

How to determine which rack to order: Scroll down the column on the left to find the photovoltaic make and model you will use.

Find the number of panels you plan to mount on the fixed rack in one of the vertical columns to the right.

Find the box at the intersection of the "PANEL TYPE" with the PV panel you will use and "# of PV PANELS" with the number of modules you plan to place on your rack. The "Model Number" (FX 3 - xx, FX4-xxx, FX6-x-xxx, FX-xxx) of the rack to purchase will be in the box.

Order Examples: To order a rack for 3 Kyocera KC-130's, the model number is "FX 3 - 80 L". To order a rack for 14 Kyocera KC-85's the model number is "FXL-120" and will require an extra rail set.

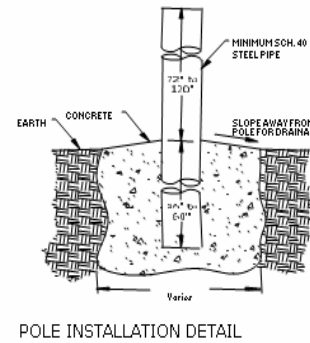
For FXL-90, 120, & 168 Top of Pole Mount Fixed Racks : Add the following to the cost of a fixed rack -
 *Extra Rail Set Required - \$291 ** 2 Extra Rail Sets Required - \$582 *** 3 Extra Rail Sets Required - \$874
 Fixed racks with Heavy Duty Rails are available for \$582 per set (2 rails)

Shipping: All FX- 3 and most FX- 4 & 6 Series Fixed Racks may be shipped by UPS.

FXL-90, 120, and 168 racks must be shipped by a freight carrier.

Larger Fixed Racks: Our chart only shows up to 16 panels mounted because that handles the majority of our racks. Larger racks that hold approximately 168 sq. ft. of solar modules are available.

Description	Model					
	FX3	FX 4	FX6	FXL090	FXL120	FXL168
Minimum Schedule 40 Steel Pipe	3" (3 1/2" OD)	4" (4 1/2" OD)	6" (6 5/8" OD)	6" (6 5/8" OD)	6" (6 5/8" OD)	8" (8 5/8" OD)
Min. Pole Height (Grade Level)	72"	72"	72"	108"	120"	120"
Min. Pole Depth (Below Grade)	36"	36"	36"	54"	60"	60"
Minimum Recommended hole diameter	12" dia., Pipe in concrete	14" dia., Pipe in concrete	20" dia., Pipe in concrete	24" dia., Pipe in concrete	24" dia., Pipe in concrete	24" dia., Pipe in concrete



Recommendations for

Installation: It is the installer's responsibility to consider the soil conditions and location when setting the pipe. A general rule of thumb for pole installation is 2/3 pole length above ground, 1/3 pole length in the ground in a hole at least three times the diameter of the pole filled with concrete.

► If your installation requires an engineer's stamp, contact your engineer before setting the pole.

FX 3 Top of Pole Racks	
FX 3 - 24	\$ 240.00
FX 3 - 28	\$ 240.00
FX 3 - 32	\$ 240.00
FX 3 - 36	\$ 250.00
FX 3 - 40	\$ 250.00
FX 3 - 44	\$ 250.00
FX 3 - 48	\$ 267.00
FX 3 - 52	\$ 267.00
FX 3 - 56	\$ 267.00
FX 3 - 60	\$ 277.00
FX 3 - 64	\$ 277.00
FX 3 - 68	\$ 277.00
FX 3 - 72	\$ 309.00
FX 3 - 76	\$ 309.00
FX 3 - 80	\$ 309.00
FX 3 - 84	\$ 326.00
FX 3 - 88	\$ 326.00
FX 3 - 92	\$ 350.00
FX 3 - 96	\$ 350.00

Low Profile Roof / Ground Mounts	
UGMLP 72	\$ 297.00
UGMLP 84	\$ 309.00
UGMLP 96	\$ 323.00
UGMLP 108	\$ 335.00
UGMLP 120	\$ 347.00
UGMLP 132	\$ 465.00
UGMLP 144	\$ 477.00
UGMLP 156	\$ 488.00
UGMLP 168	\$ 505.00
UGMLP 180	\$ 519.00
UGMLP 192	\$ 615.00
UGMLP 204	\$ 628.00
UGMLP 216	\$ 639.00

Roof / Ground Mounts	
UGM 24	\$ 149.00
UGM 30	\$ 163.00
UGM 36	\$ 180.00
UGM 42	\$ 195.00
UGM 48	\$ 215.00
UGM 54	\$ 228.00
UGM 60	\$ 251.00
UGM 66	\$ 274.00
UGM 72	\$ 297.00
UGM 78	\$ 312.00
UGM 84	\$ 345.00
UGM 90	\$ 391.00
UGM 96	\$ 404.00
UGM 102	\$ 442.00
UGM 108	\$ 486.00
UGM 114	\$ 496.00
UGM 120	\$ 506.00

FX4 Top of Pole Racks	
FX 4-4-272	\$ 501.00
FX 4-4-352	\$ 572.00
FX 4-4-448	\$ 693.00
FX 4-5-240	\$ 489.00
FX 4-5-272	\$ 507.00
FX 4-5-368	\$ 577.00
FX 4-6-208	\$ 479.00
FX 4-6-272	\$ 513.00
FX 4-6-320	\$ 543.00
FX 4-6-352	\$ 578.00
FX 4-6-384	\$ 581.00
FX 4-7-144	\$ 449.00
FX 4-7-208	\$ 485.00
FX 4-7-224	\$ 486.00
FX 4-7-240	\$ 492.00
FX 4-7-256	\$ 495.00
FX 4-7-272	\$ 519.00
FX 4-7-288	\$ 524.00
FX 4-7-304	\$ 530.00
FX 4-7-320	\$ 549.00
FX 4-7-352	\$ 583.00
FX 4-7-368	\$ 584.00
FX 4-7-384	\$ 587.00
FX 4-8-208	\$ 491.00
FX 4-8-224	\$ 492.00
FX 4-8-240	\$ 501.00
FX 4-8-256	\$ 513.00
FX 4-8-272	\$ 525.00
FX 4-8-320	\$ 555.00
FX 4-8-336	\$ 576.00
FX 4-8-352	\$ 590.00
FX 4-8-384	\$ 594.00
FX 4-9-208	\$ 497.00
FX 4-9-224	\$ 498.00
FX 4-9-256	\$ 504.00
FX 4-9-272	\$ 531.00
FX 4-9-288	\$ 536.00
FX 4-9-320	\$ 561.00
FX 4-9-352	\$ 596.00
FX 4-9-384	\$ 600.00
FX 4-10-256	\$ 510.00

FXL-Series	
FXL-090	\$ 1,076.00
FXL-120	\$ 1,159.00
FXL-168	\$ 1,431.00
FXL-168HD	\$ 1,976.00

FX6 Top of Pole Racks	
FX 6 - 4 - 416	\$ 794.00
FX 6 - 5 - 400	\$ 790.00
FX 6 - 5 - 416	\$ 800.00
FX 6 - 5 - 480	\$ 839.00
FX 6 - 6 - 400	\$ 795.00
FX 6 - 6 - 416	\$ 806.00
FX 6 - 6 - 432	\$ 816.00
FX 6 - 6 - 448	\$ 826.00
FX 6 - 6 - 480	\$ 857.00
FX 6 - 6 - 528	\$ 928.00
FX 6 - 6 - 624	\$ 979.00
FX 6 - 7 - 320	\$ 673.00
FX 6 - 7 - 352	\$ 693.00
FX 6 - 7 - 368	\$ 715.00
FX 6 - 7 - 384	\$ 750.00
FX 6 - 7 - 400	\$ 802.00
FX 6 - 7 - 416	\$ 828.00
FX 6 - 7 - 432	\$ 873.00
FX 6 - 7 - 448	\$ 886.00
FX 6 - 7 - 480	\$ 893.00
FX 6 - 7 - 608	\$ 972.00
FX 6 - 8 - 224	\$ 629.00
FX 6 - 8 - 272	\$ 649.00
FX 6 - 8 - 320	\$ 678.00
FX 6 - 8 - 336	\$ 718.00
FX 6 - 8 - 352	\$ 731.00
FX 6 - 8 - 368	\$ 747.00
FX 6 - 8 - 384	\$ 786.00
FX 6 - 8 - 400	\$ 801.00
FX 6 - 8 - 408	\$ 816.00
FX 6 - 8 - 416	\$ 831.00
FX 6 - 8 - 432	\$ 876.00
FX 6 - 8 - 448	\$ 893.00
FX 6 - 8 - 480	\$ 907.00
FX 6 - 8 - 528	\$ 911.00
FX 6 - 9 - 224	\$ 662.00
FX 6 - 9 - 272	\$ 683.00
FX 6 - 9 - 320	\$ 722.00
FX 6 - 9 - 336	\$ 732.00
FX 6 - 9 - 368	\$ 752.00
FX 6 - 9 - 384	\$ 761.00
FX 6 - 9 - 528	\$ 953.00
FX 6 - 10 - 208	\$ 867.00
FX 6 - 10 - 408	\$ 943.00
FX 6 - 10 - 416	\$ 965.00
FX 6 - 10 - 456	\$ 1,040.00
FX 6 - 10 - 504	\$ 1,116.00
FX 6 - 10 - 528	\$ 1,136.00